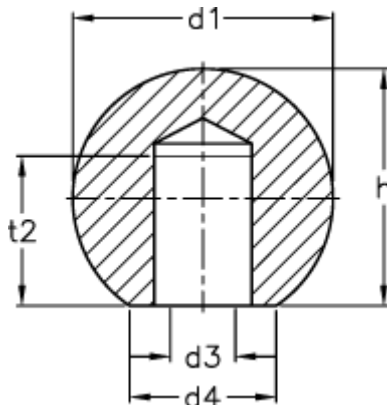


Article number: 20132158

Description: E+G Ball knob DIN 319-AL-25-B10-K

Measures



d1	= 25
d3 H7	= B10
d4	= 15
h	= 22.5
t2 min.	= 14